

# Electricity with the Modular System

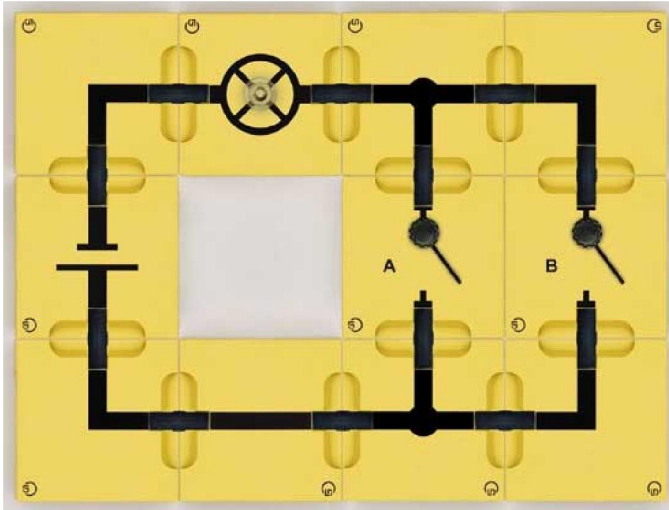
Basic Electric Circuits  
Switches in the circuit

## OR circuit

### Objective of the experiment

To demonstrate the operating mode of an OR circuit.

### Setup



### Apparatus

1	539 024	Lamp socket E10, BST
1	from 505 11	Incandescent lamp, 2.5 V / 0.1 A, E10
2	539 025	Toggle switch, BST
1	539 053	Battery element, BST
1	539 001	Connector block BST, straight
4	539 004	Connector blocks BST, 90° angle
2	539 006	Connector blocks BST, T branch
12	539 000	Bridging plug, BST
1	301 300	Demonstration experiment frame
1	301 301	Adhesive magnetic board

**Carrying out the experiment**

- Screw the incandescent lamp into the lamp socket and set up the circuit.
- Operate switches A and B. For each switch position, check if the lamp lights up.

**Observation**

Switch A	Switch B	Lamp lit up?
open	closed	yes
open	open	no
closed	closed	yes
closed	open	yes

**Evaluation**

In the OR circuit, the switches are connected in parallel. The lamp lights up when either switch A or switch B is closed.